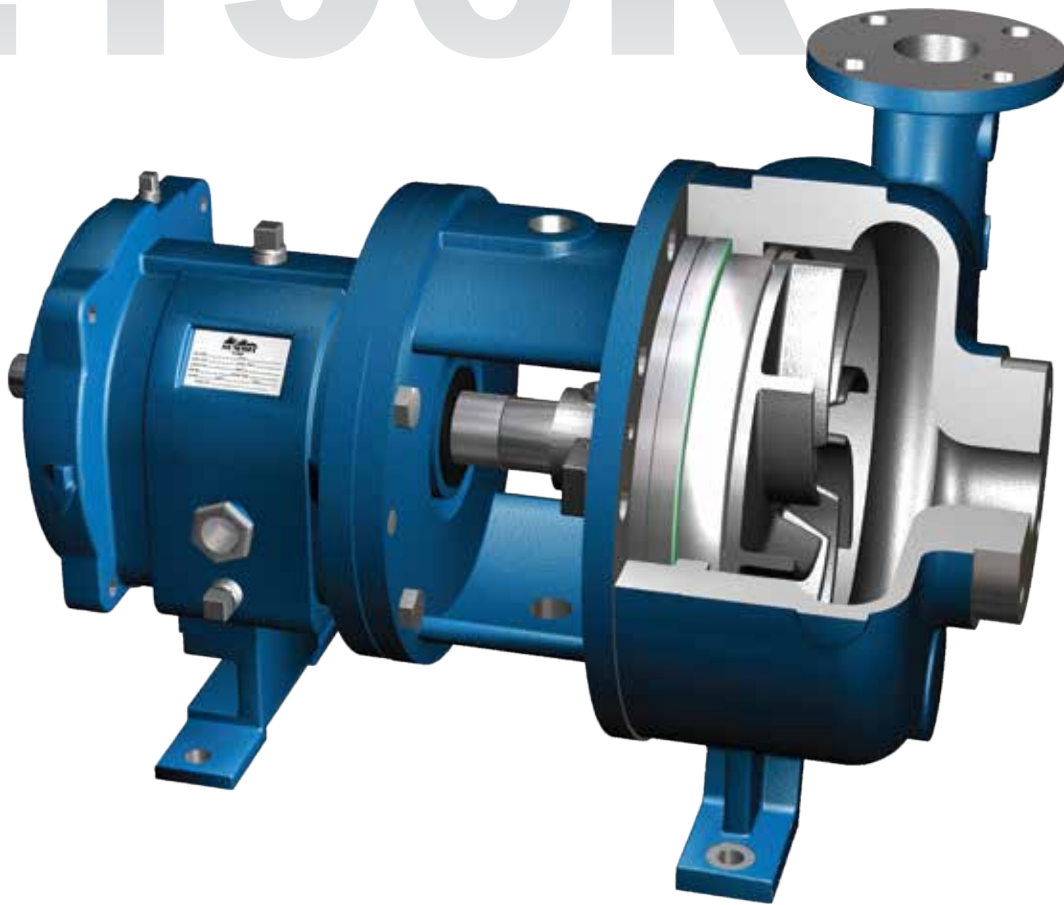


SUMMIT™

2196R

2196R



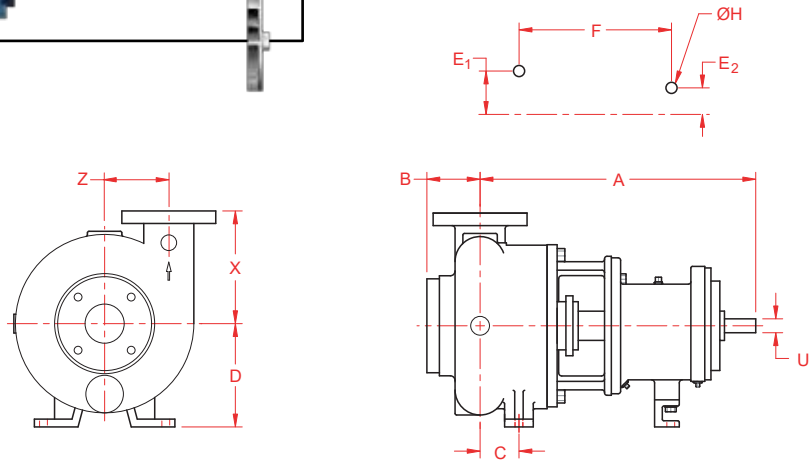
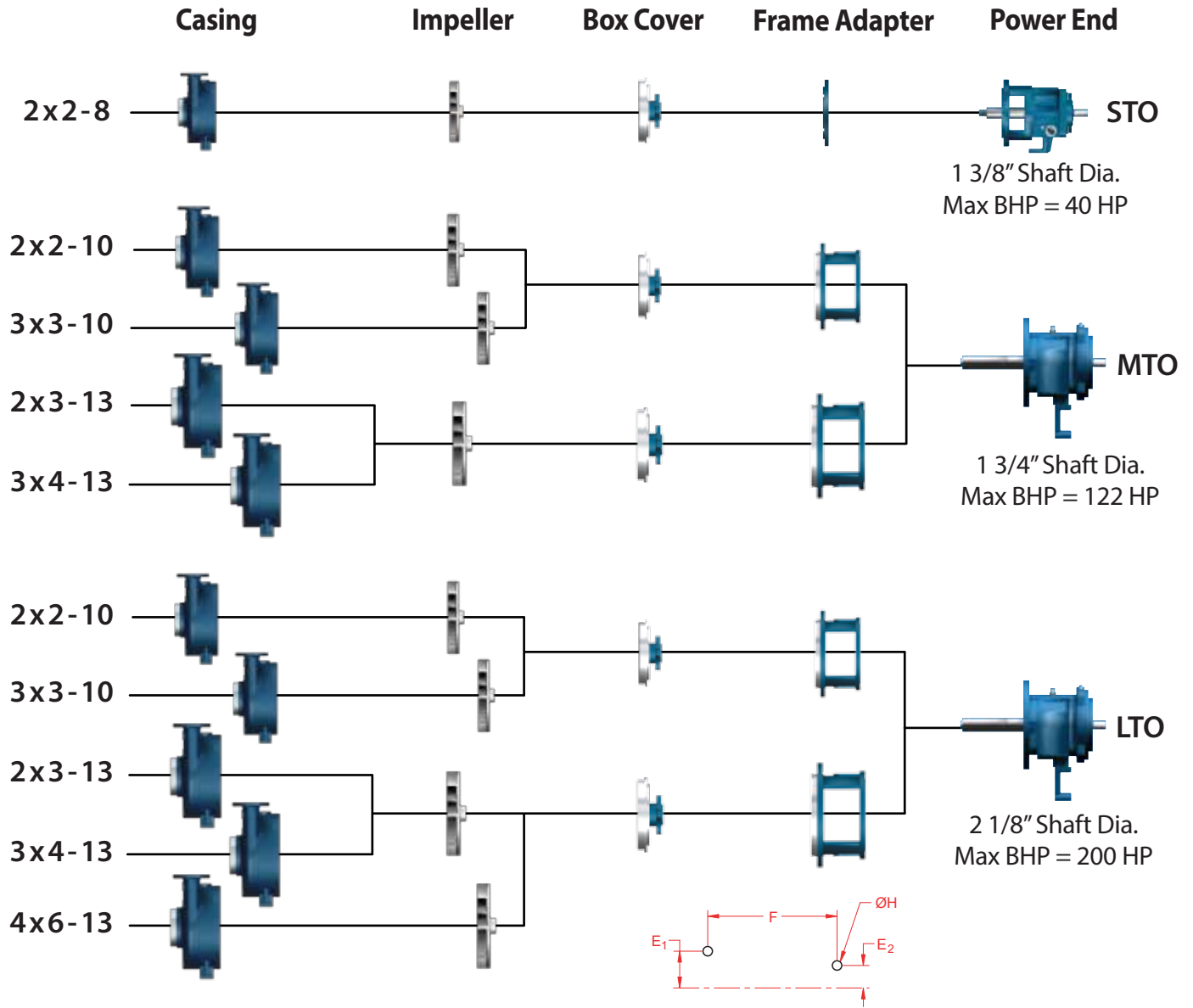
2196 Recessed



SUMMIT™
PUMP, Inc

www.SUMMITPUMP.com

© 2016 SUMMIT PUMP, Inc



Pump Dimensions

| Pump Frame | Size | X | D | C | B | A | Z | Foot Pattern | | | Shaft | | |
|------------------|--------|--------|-------|---------|-------|----------|-------|--------------|-------|--------|-------|-----------|-------------|
| | | | | | | | | E1 | E2 | F | H | U | KEYWAY |
| STO | 2x2-8 | 6 1/2 | 6 | 2 1/2 | 2 3/4 | 16 | 4 1/4 | 3 3/4 | 0 | 7 1/4 | 5/8 | 0.875 | 3/16 x 3/32 |
| MTO or LTO | 2x2-10 | 8 1/2 | 8 1/4 | 2 1/4 | 3 1/2 | 21 3/4 | 5 1/8 | 4 7/8 | 3 5/8 | 12 1/2 | | 1.125 | 1/4 x 1/8 |
| | 3x3-10 | 9 | 8 1/4 | 2 15/16 | 4 1/4 | 22 1/2 | 5 1/8 | | | | 1.125 | 1/4 x 1/8 | |
| | 2x3-13 | 10 1/2 | 10 | 2 13/16 | 4 1/8 | 22 5/16 | 6 5/8 | | | | 1.125 | 1/4 x 1/8 | |
| | 3x4-13 | 10 1/2 | 10 | 3 5/16 | 4 1/8 | 22 13/16 | 6 5/8 | | | | | | |
| LTO | 4x6-13 | 11 1/2 | 10 | 3 5/8 | 4 3/4 | 23 1/8 | 6 3/4 | | | | | 1.875 | 1/2 x 1/4 |