

SUMMIT™

2196 ANSI



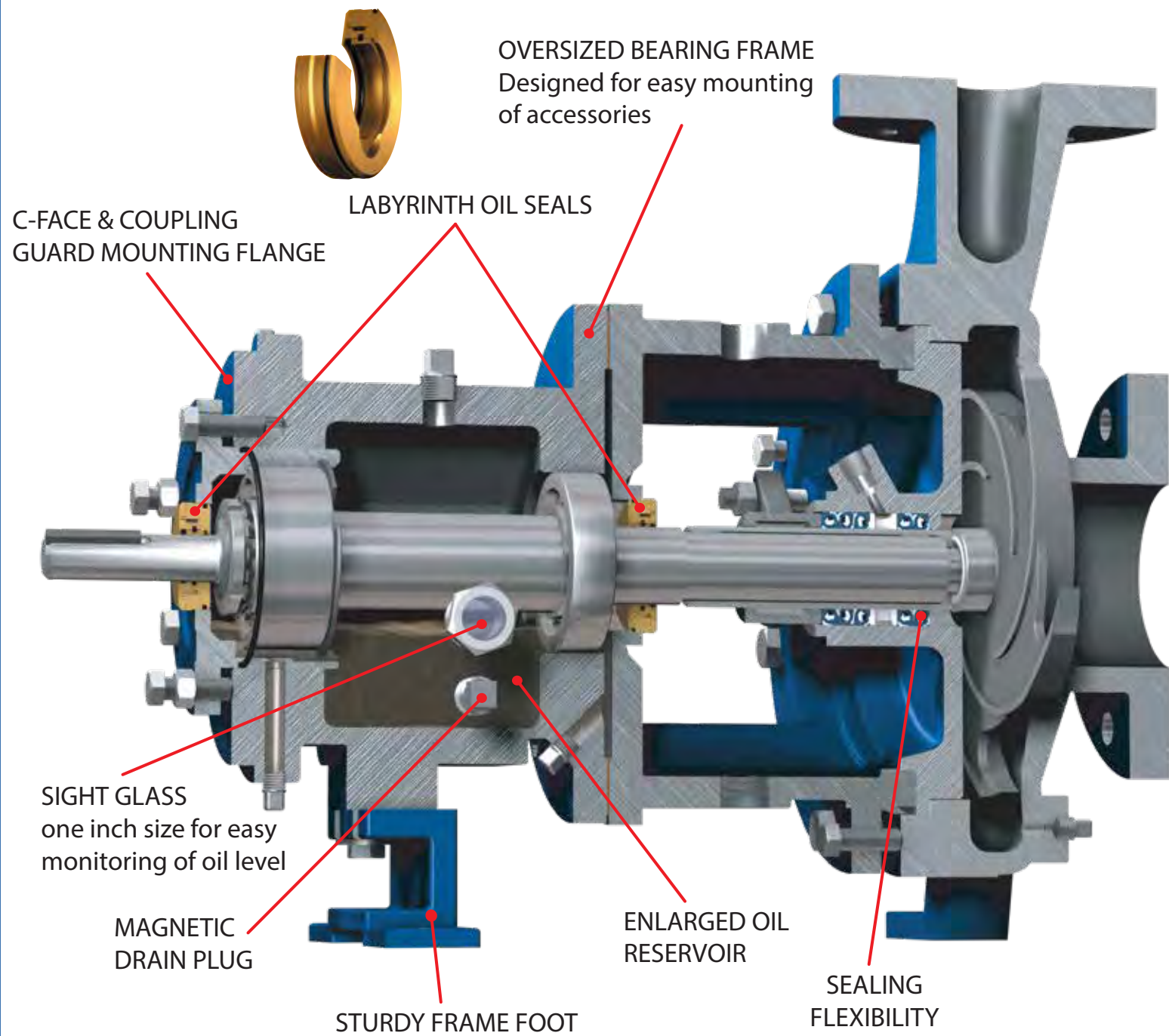
ANSI Dimensional
Model 2196



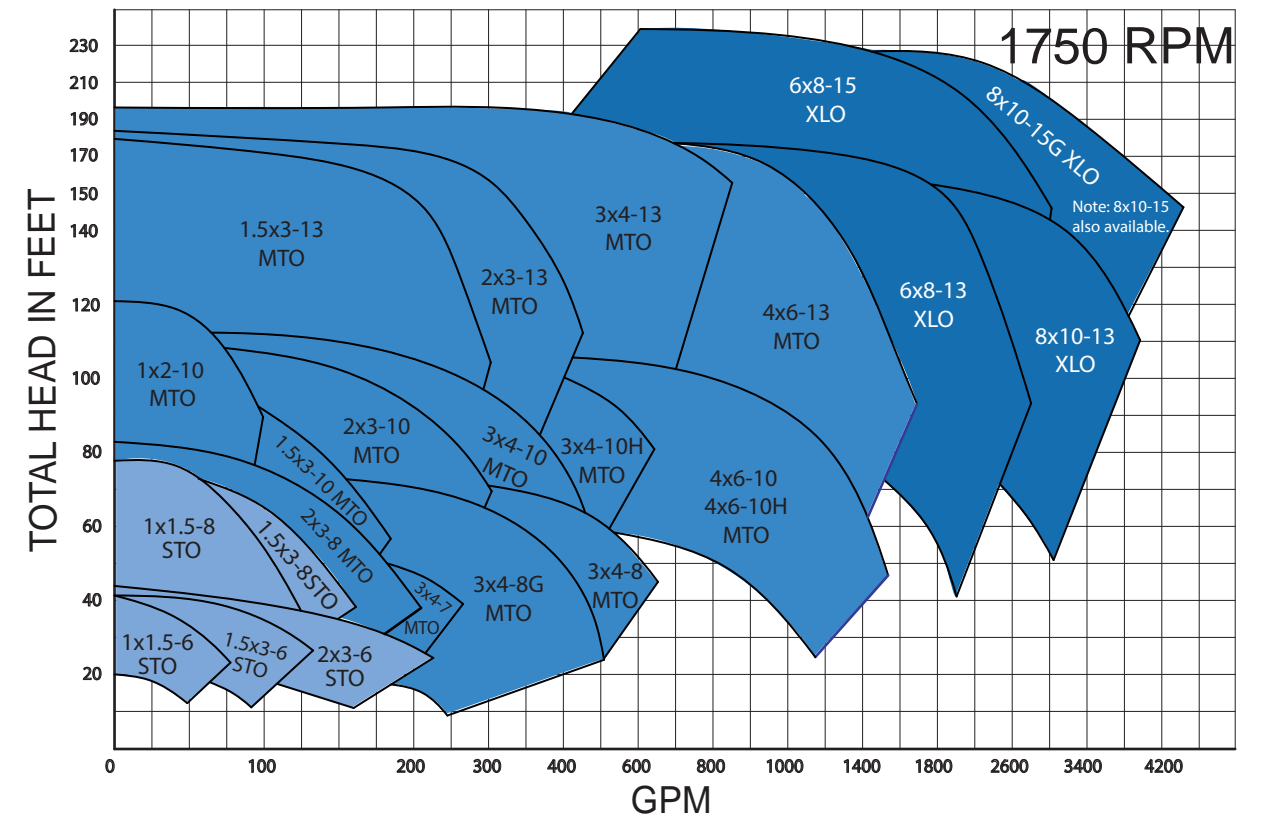
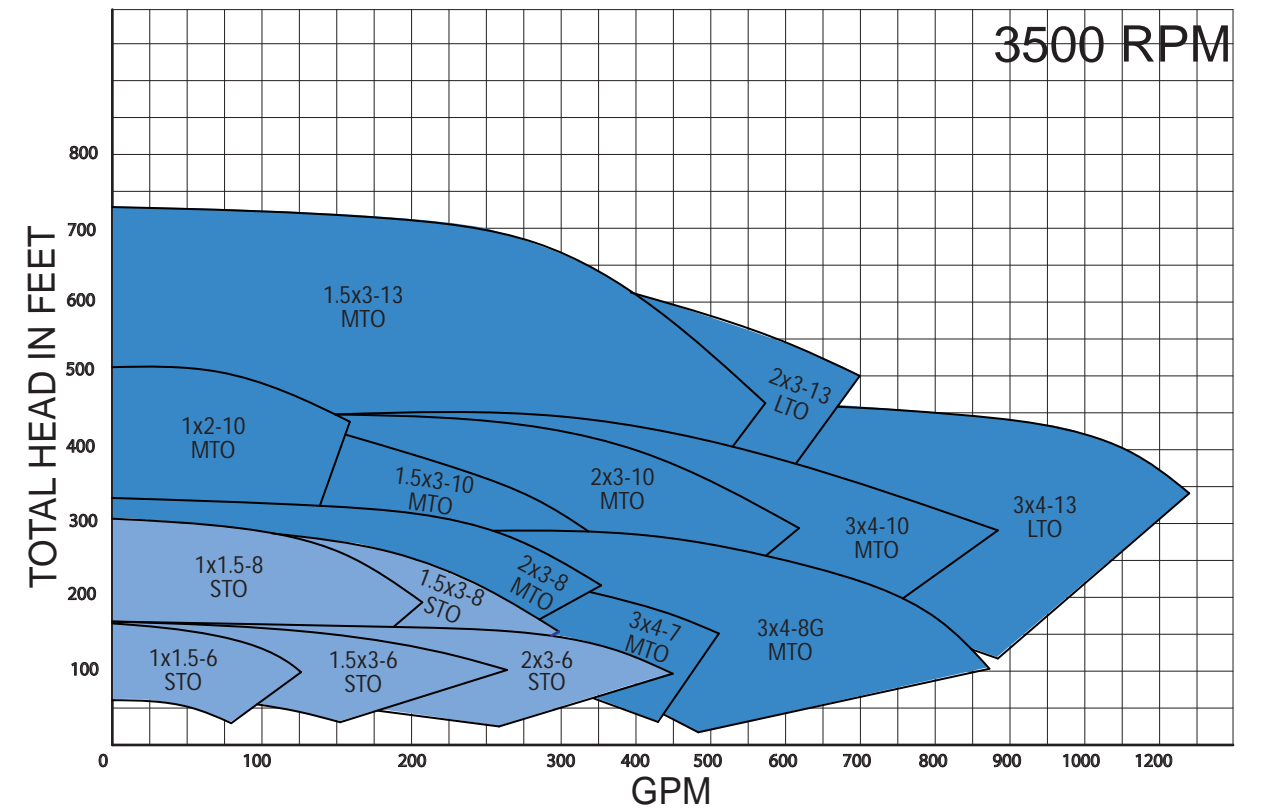
SUMMIT™
PUMP, Inc

www.SUMMITPUMP.com

© 2016 SUMMIT PUMP Inc



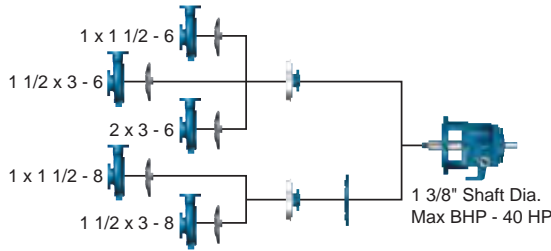
OPTIONAL: FINNED-TUBE OIL COOLER Can be installed in field



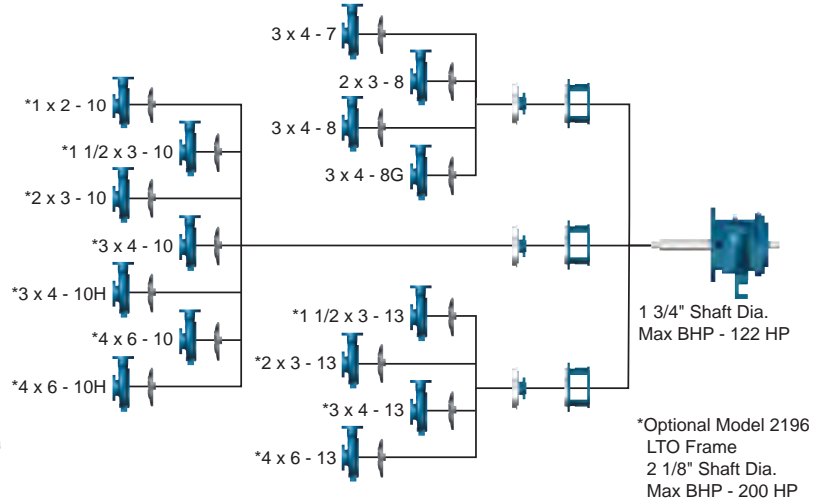
Note: Performance & Sizing curves are provided for reference only. For specific information, contact your distributor or the manufacturer.

Model 2196 Interchangeability and Dimensional Data

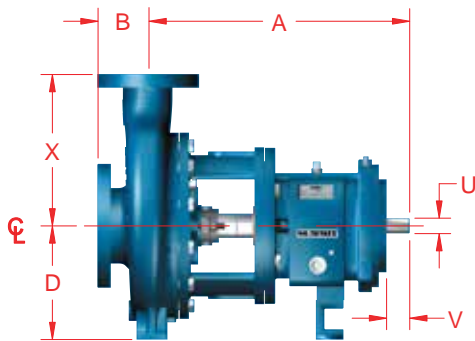
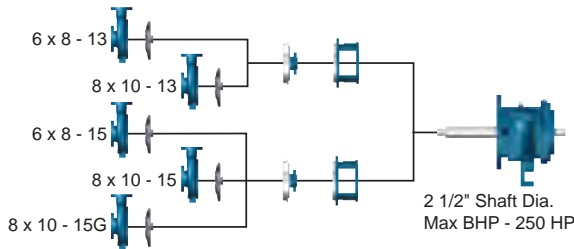
Model 2196 STO



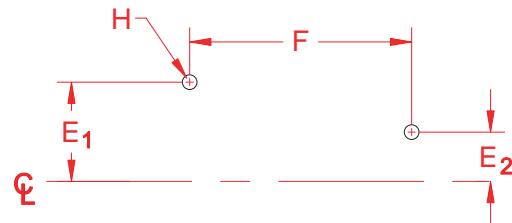
Model 2196 MTO



Model 2196 XLO



TOP VIEW



2196 DIMENSIONS

PUMP FRAME	ANSI	SIZE			X	D	B	A	SP	FOOT PATTERN				SHAFT			APPROX. BARE PUMP WT. (LBS.)		
		DIS	SUC	IMP						E1	E2	F	H	U	KEYWAY	V			
STO	AA	1	1.5	6	6 1/2	5 1/4	4	13 1/2	3 3/4	3	0	7 1/4	5/8	.875	3/16 X 3/32	2	85		
	AB	1.5	3	6													90		
		2	3	6													95		
		1	1.5	8													100		
MTO or LTO	A60	2	3	8	9 1/2	8 1/4	4	19 1/2	3 3/4	4 7/8	3 5/8	12 1/2	5/8	or	or	2 5/8	200		
	A70	3	4	8													220		
	A70	3	4	8G													220		
	A05	1	2	10													8 1/2	200	
	A50	1.5	3	10													8 1/2	220	
	A60	2	3	10													9 1/2	230	
	A70	3	4	10													11	265	
	A40	3	4	10H													12 1/2	275	
	LTO	A80	4	6	10	10	10	4	13 1/2	3 3/4	4 7/8	3 5/8	12 1/2	5/8	LTO	LTO	2 5/8	305	
		A80	4	6	10H													13 1/2	305
		A20	1.5	3	13													10 1/2	245
		A30	2	3	13													11 1/2	275
		A40	3	4	13													12 1/2	330
		A80	4	6	13													13 1/2	405
		A90	6	8	13													16	560
		A100	8	10	13													18	670
XLO	A110	6	8	15	14 1/2	6	27 7/8	5 1/4	8	4 1/2	18 3/4	7/8	2.375	5/8 X 5/16	4	610			
	A120	8	10	15												19	740		
	A120	8	10	15G												19	710		
		4	6	17												16	660		
		6	8	17												18	735		
		8	10	17												19	840		