

**SUMMIT**™

**2796**

2796



**Self-Priming  
Process Pump**



**SUMMIT**™  
**PUMP, Inc**

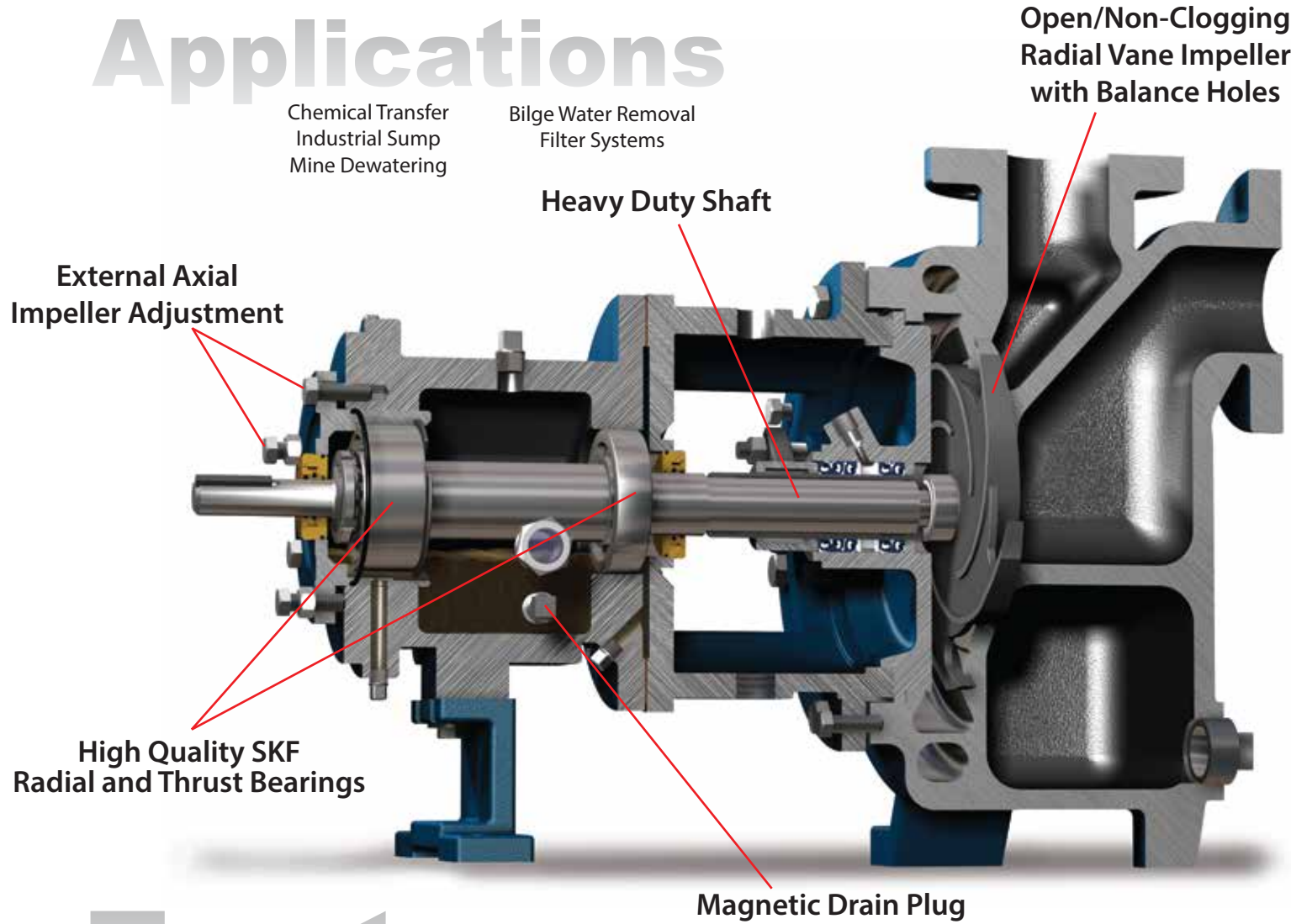
[www.SUMMITPUMP.com](http://www.SUMMITPUMP.com)

© 2016 SUMMIT PUMP, Inc

# Applications

Chemical Transfer  
Industrial Sump  
Mine Dewatering

Bilge Water Removal  
Filter Systems



# Features

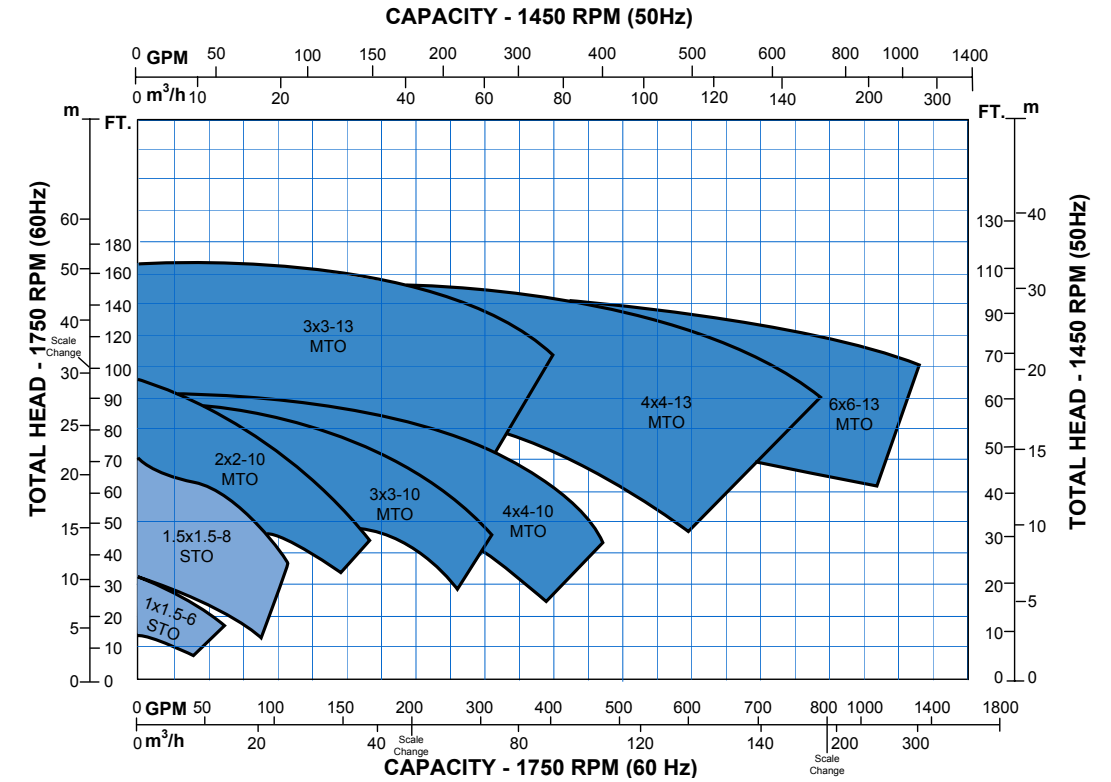
- Rear pull-out
- External axial impeller adjustment
- Orion/Seal bearing isolators standard
- Open non-clogging impeller

Parts interchangeable with SUMMIT 2196 ANSI

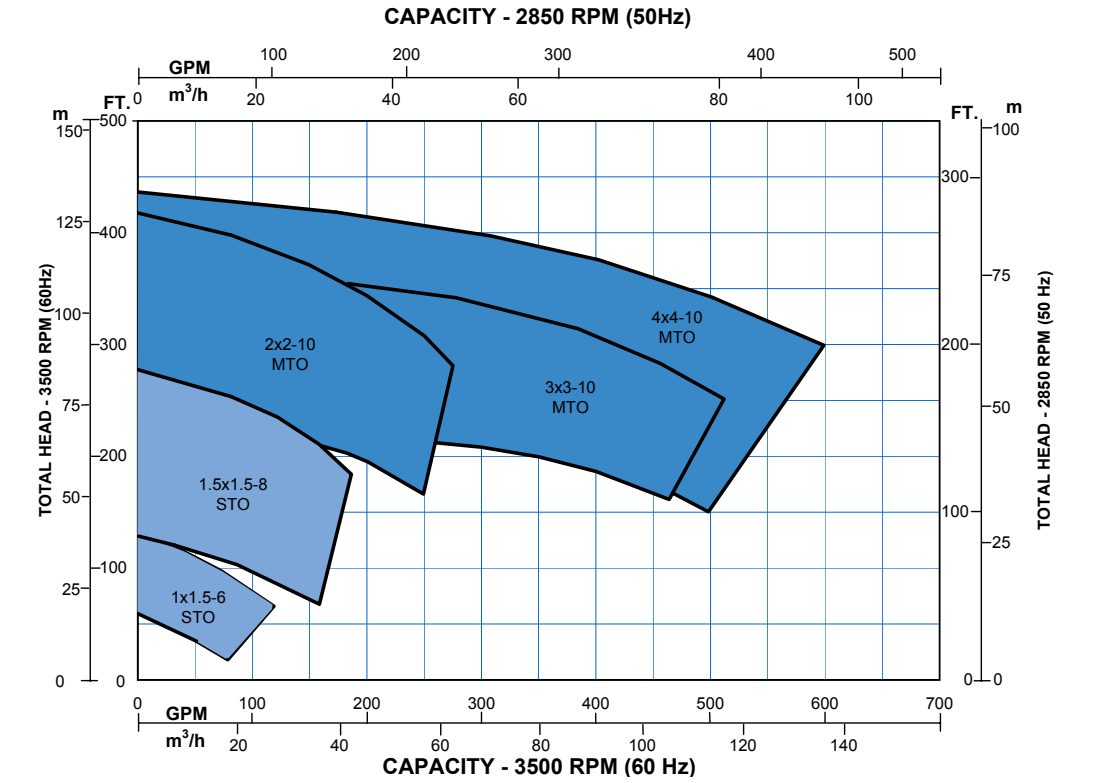


# Performance

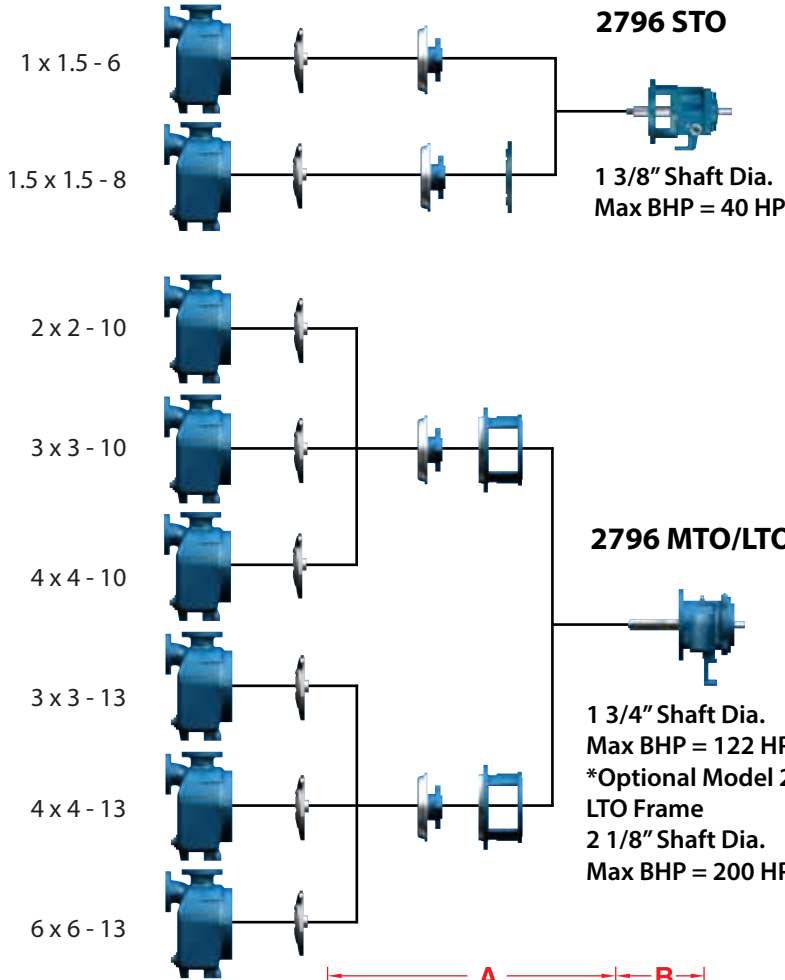
**1750/1450 RPM**



**3500/2850 RPM**

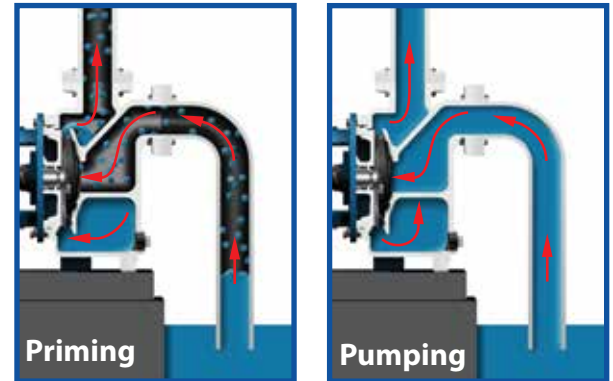


# Model 2796 Interchangeability and Dimensional Chart



## Reliable Self-Priming Operation

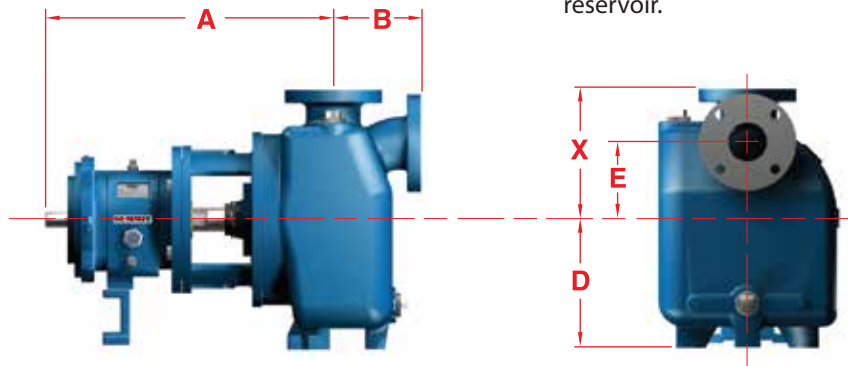
Dual volute design primes suction with only an initial charge of liquid in the casing.



**Priming Cycle:** The lower volute provides intake as upper volute discharges liquid and entrained air into separation chamber. Air separates from liquid and is expelled through pump discharge while liquid is recirculated into lower volute.

**Pumping Cycle:** After all the air has been removed from suction and liquid fills the impeller eye, the pump is fully primed, functioning as a conventional centrifugal pump with both upper and lower volutes performing as discharges.

An adequate volume of liquid is always retained in pump, even when liquid is allowed to drain back to the reservoir.



## Pump Dimensions

Pump Frame	Pump Size	Discharge	Suction	A	B	D	E	X	Bare Pump Weight (lbs.)
STO	1X1.5-6	1	1.50	15.50	5.00	7.50	4.00	7.25	170
	1.5X1.5-8	1.50	1.50					7.88	
MTO LTO	2X2-10	2	2	21.75	6.50	10.00	6.00	10.00	270
	3X3-10	3	3	22.63	6.75				315
	4X4-10	4	4	23.38	9.19				370
	3X3-13	3	3	22.63	6.75			11.50	400
	4X4-13	4	4	22.38	9.19				470
	6X6-13	6	6	27.75	7.50				12.00