

THE TUBE

Turbo Screen Decanter

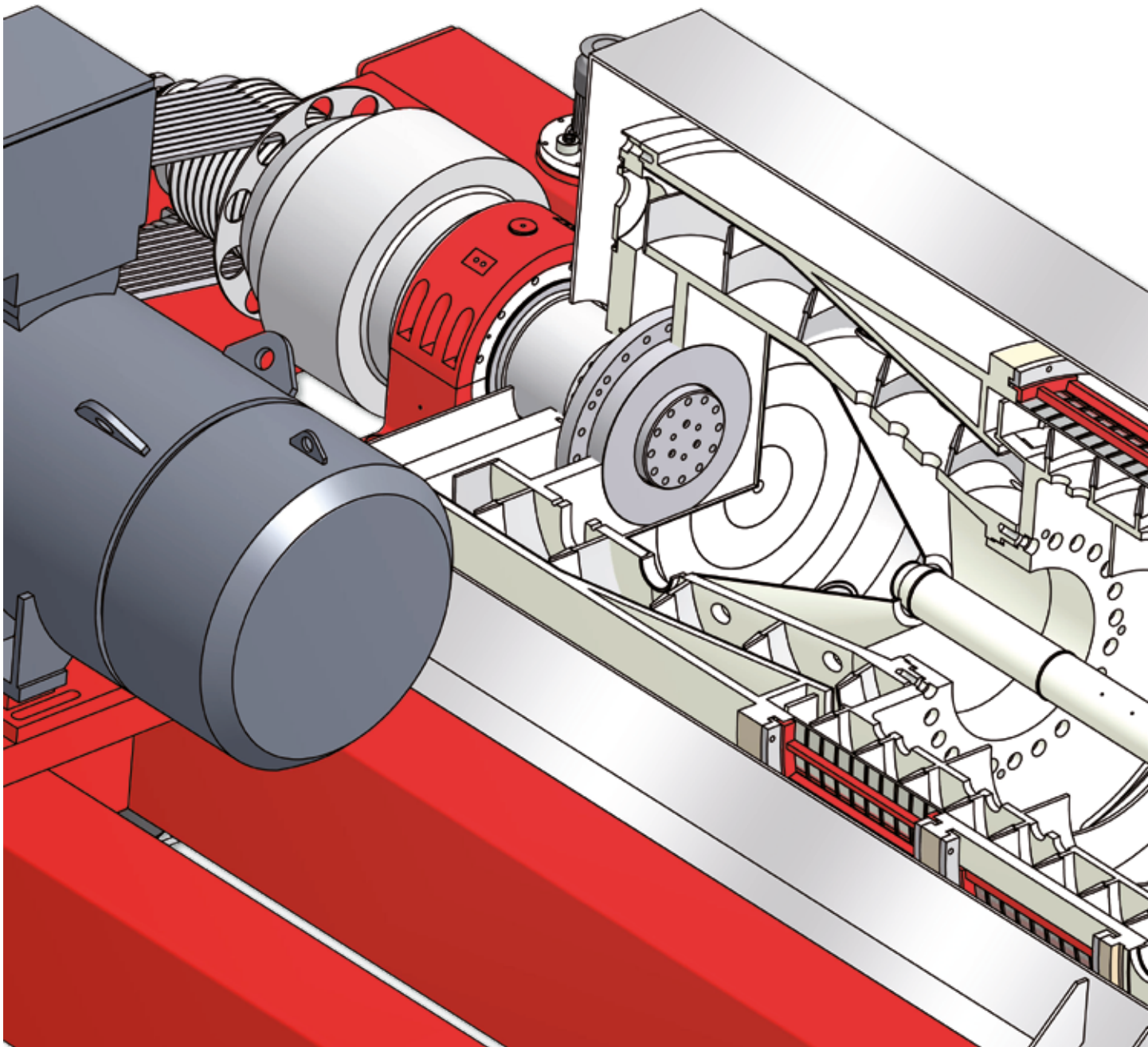


State-of-the-art centrifuge technology

Der Turbo Screen Decanter "TUBE"

The Turbo Screen Decanter is one of the most progressive developments in mechanical solids/liquids separation technology. The benefits of the solid-bowl centrifuge and worm/screen centrifuge have been optimally combined in 2 work operations.

- clarification and drying in two differently designed work operations
- no disadvantageous compromise between the clarification and drying zones
- prethickening of the solid with subsequent break-up of the cake over the discharge edge to the large-dimensional screen section
- with high solids performance, the large screen basket offers adequate volumes and thus low solids layer height
- optimum dewatering of the prethickened solids cake in the large-volume screen basket with high g-force
- high yield when the centrifuged residual liquid from the screen section is recirculated
- efficient washing on separate screen basket with high centrifugal figures and low solids layer thickness



10 unique benefits of the "TUBE" designs

Further development of the Turbo Screen Decanters in "Tube" design is intended especially for large mass flow rates.

Here, the time-tested separation of the clarification and drying zones is retained as two-stage execution, the diameter of the clarification section, however, being adapted to the screen section diameter.

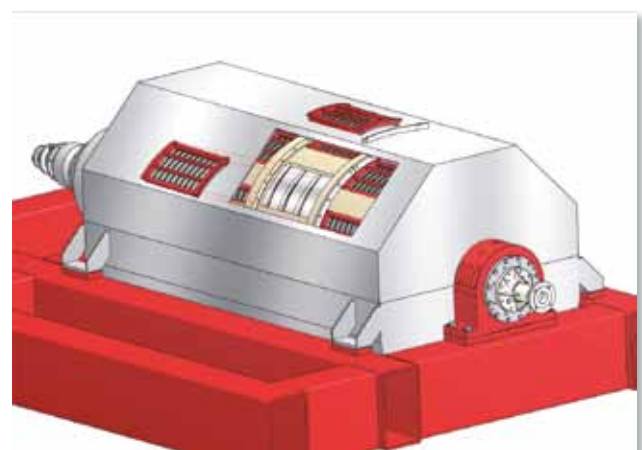
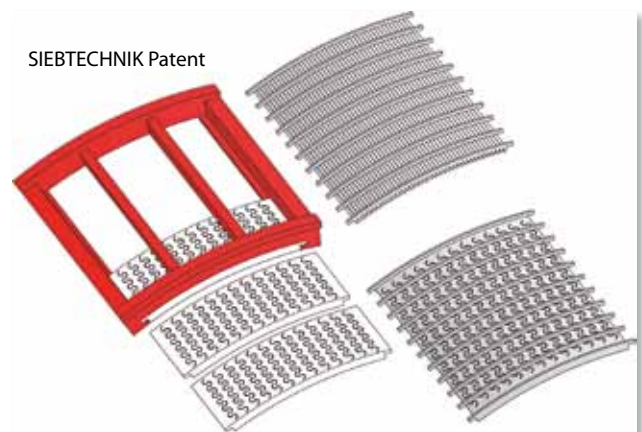
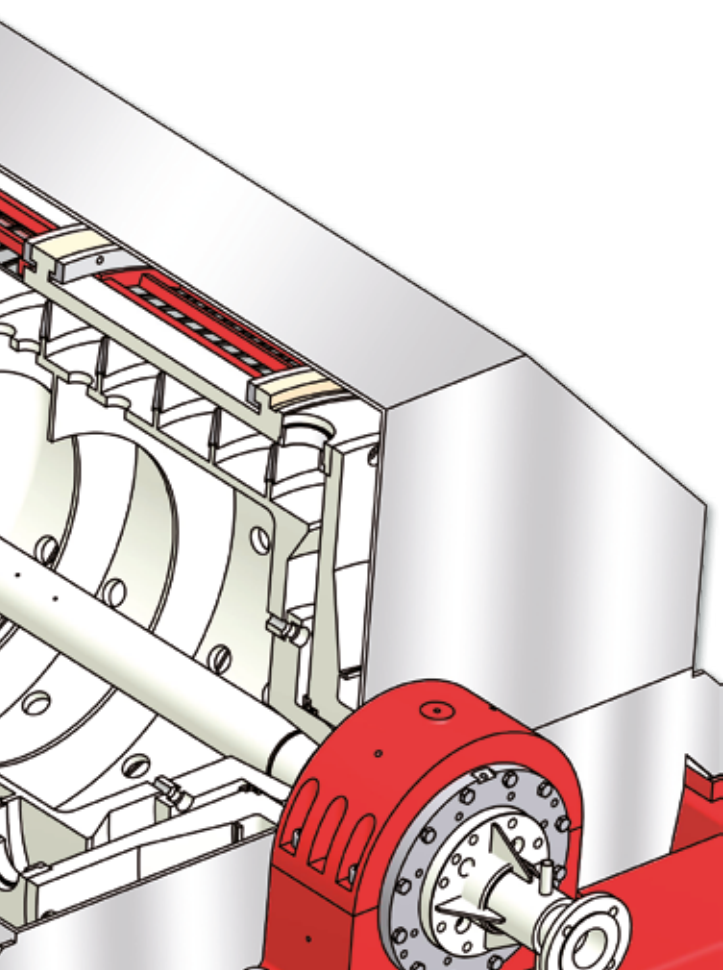
This means that what is being offered in the way of volumes in the decanter section has been considerably augmented, whereby the screen and clarification volumes can be adapted to the performance required not only by means of the diameters, but also in addition by variable length executions.

The difficulties encountered with wear in large centrifuges is largely kept to an economically acceptable level by **patented** ceramic fittings.

Accessibility during screen changing is made in a particularly advantageous manner. Here, cassettes mountable from outside are set up in multiple rows.

Different screen segments can be incorporated or changed into the rack system here (**SIESTECHNIK Pat.**).

- Diameters 1000/1100/1200/1400 on TSD basis for high mass flow rates
- large screen length (variable design)
- large free screen surface
- **patented** screen change from outside and at site
- large clarification volumes (variable design)
- dewatering through large screen section length
- specially **patented** wear protection
- split gears up to 50000 Nm
- recirculating oil lubrication system
- specially **patented** over-load device



Delivery Program

Screening Machines Process Equipment

circular and elliptical motion screens
double counterweight screens
multideck horizontal screen
round screens
jigs

Sampling Systems, Airtube Systems, Size Reduction Machines, Laboratory Equipment, Control Screening Machines and Automation

individual units and complete installations
for sample taking and preparation
airtube systems
jaw crushers
roller mills
hammer and hammer impact mills
eccentric-vibrating mills and ball mills
control screening machines
analytical screening machines
splitter
testing drums
automation

Centrifuges

scroll-screen centrifuges
pusher centrifuges
sliding discharge centrifuges
vibratory centrifuges
decanter centrifuges